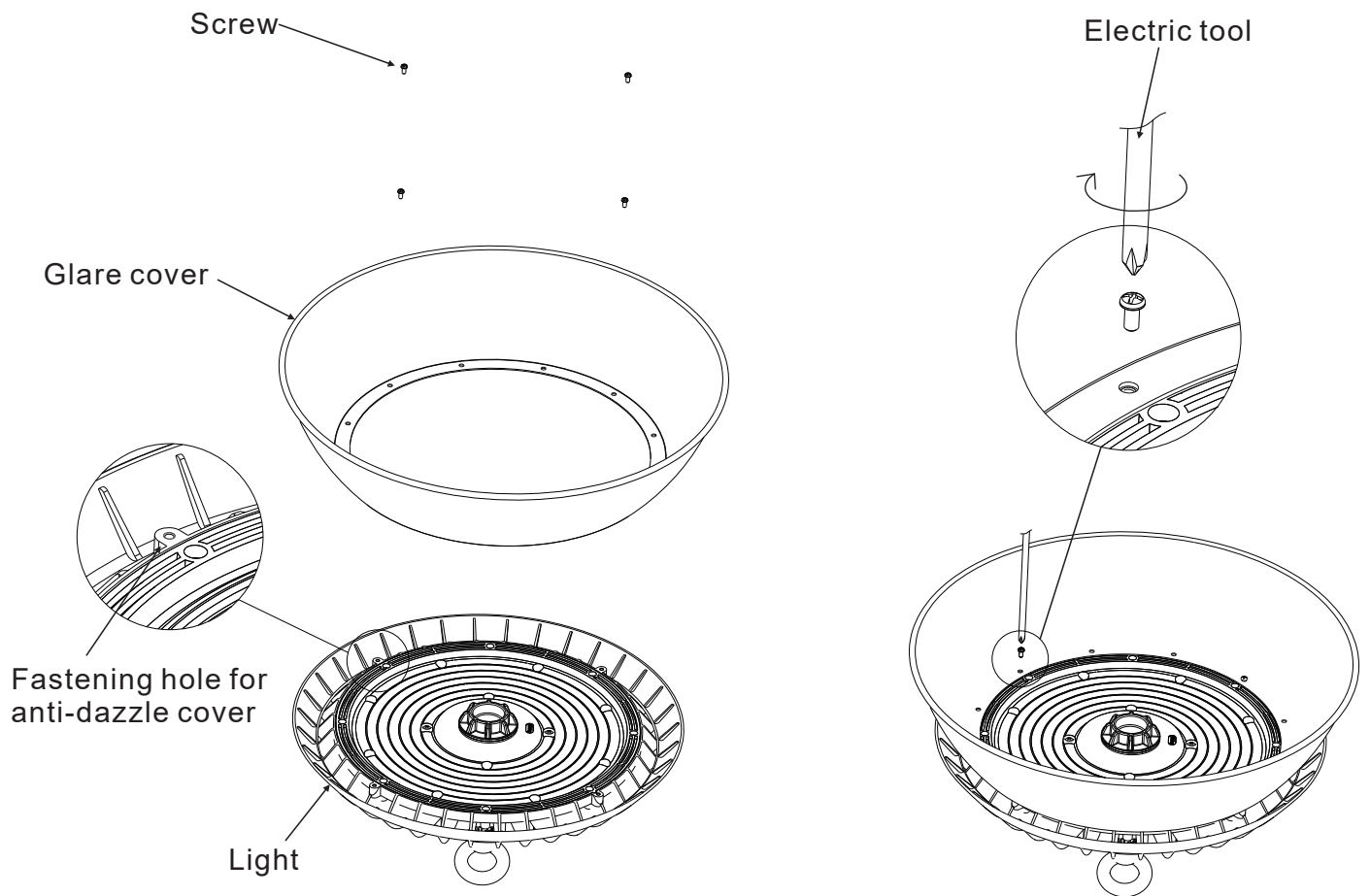


Glare cover installation

Installation of anti-glare cover



1. Align the hole of the anti-dazzle cover with the fixing hole of the radiator
2. Fasten the anti-dazzle cover by turning the screws clockwise with an electric screwdriver

**Compatible with : SKYLUX120W-G5
SKYLUX200W-G5**